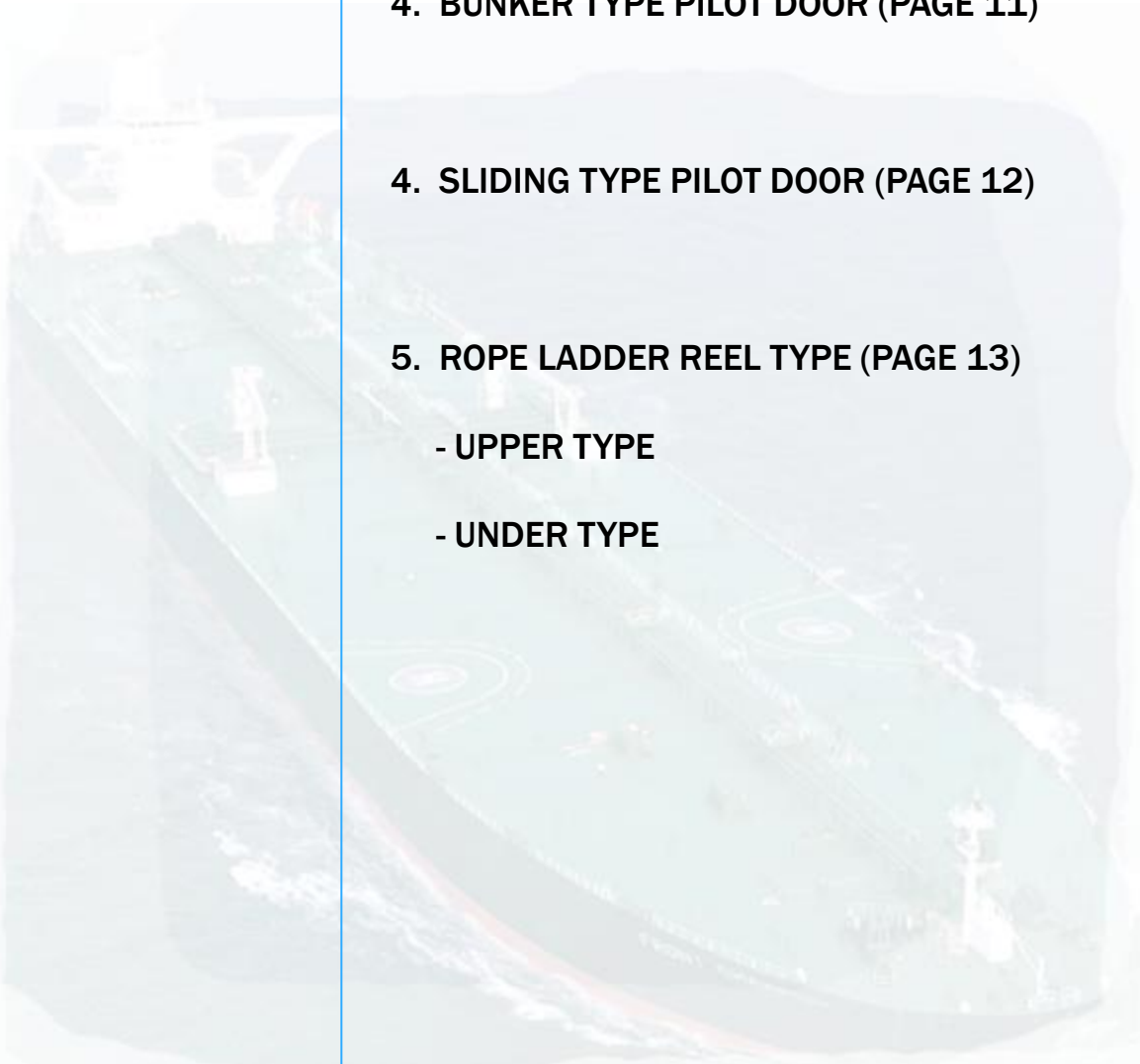




10

WATERTIGHT PILOT DOOR

THE OPERATION MANUAL WHICH IT SEES IS
THE WATERTIGHT PILOT DOOR TYPE
OF THE SUNGMI CO.,LTD.

1. THE PILOT DOOR IS? (PAGE 1, 2)
 2. REFERENCE LIST(PAGE 3, 4, 5, 6, 7, 8, 9)
 3. FOLDING TYPE PILOT DOOR (PAGE 10)
 4. BUNKER TYPE PILOT DOOR (PAGE 11)
 4. SLIDING TYPE PILOT DOOR (PAGE 12)
 5. ROPE LADDER REEL TYPE (PAGE 13)
 - UPPER TYPE
 - UNDER TYPE
- 

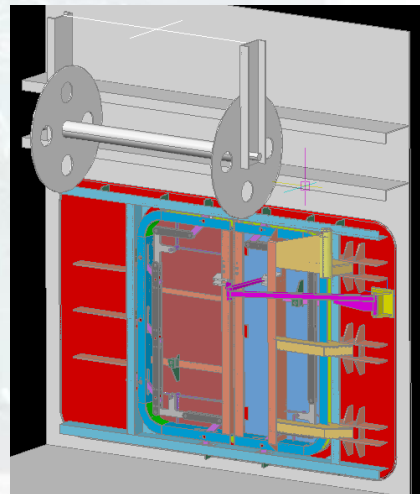
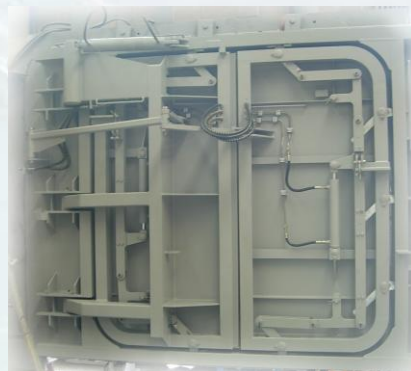
Features

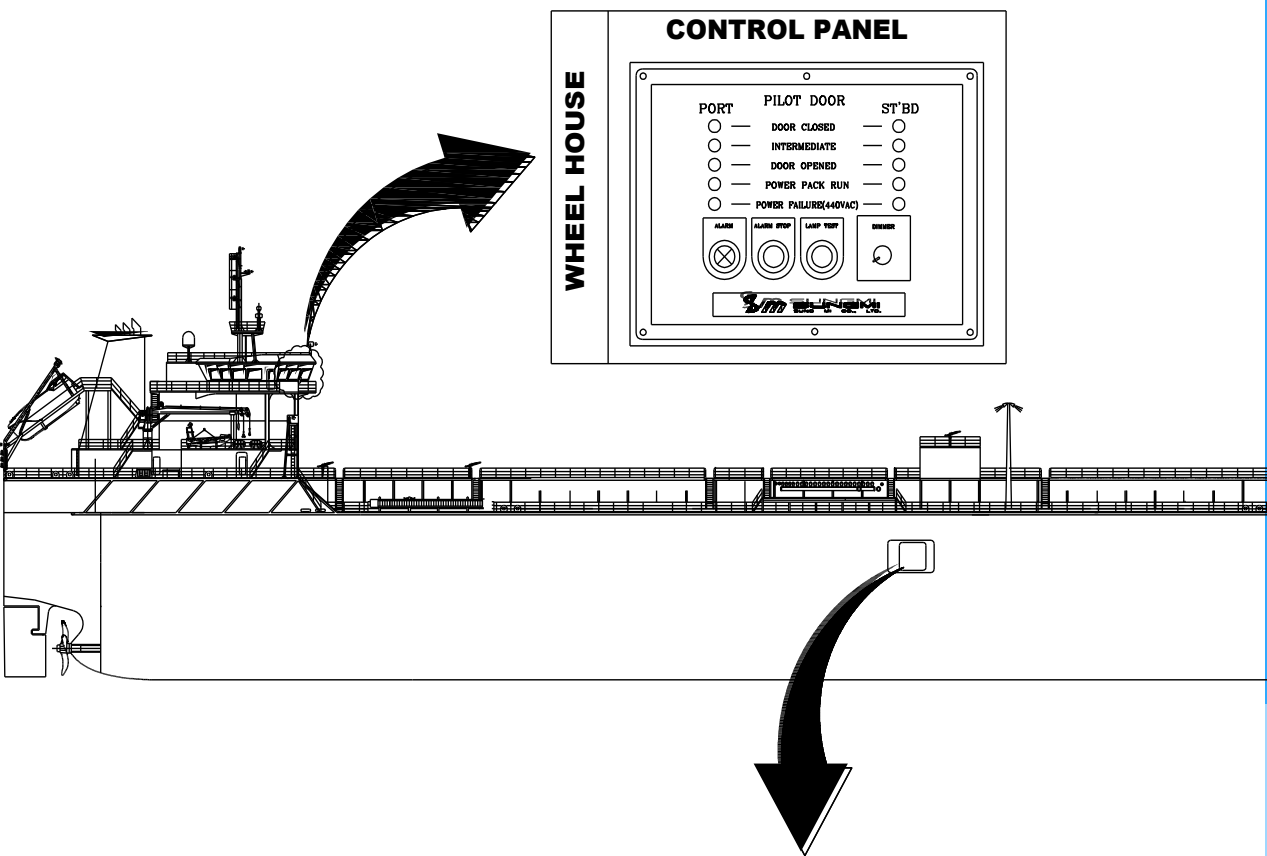
Pilot doors, which are used as a passage for pilot and are operated by hydraulic power system, are fitted in the side shell plating, one in port side and one in starboard side respectively.

This is consisted of several major parts including folding type door body, ladder reel with rope ladder, hydraulic cylinders, power unit and etc..

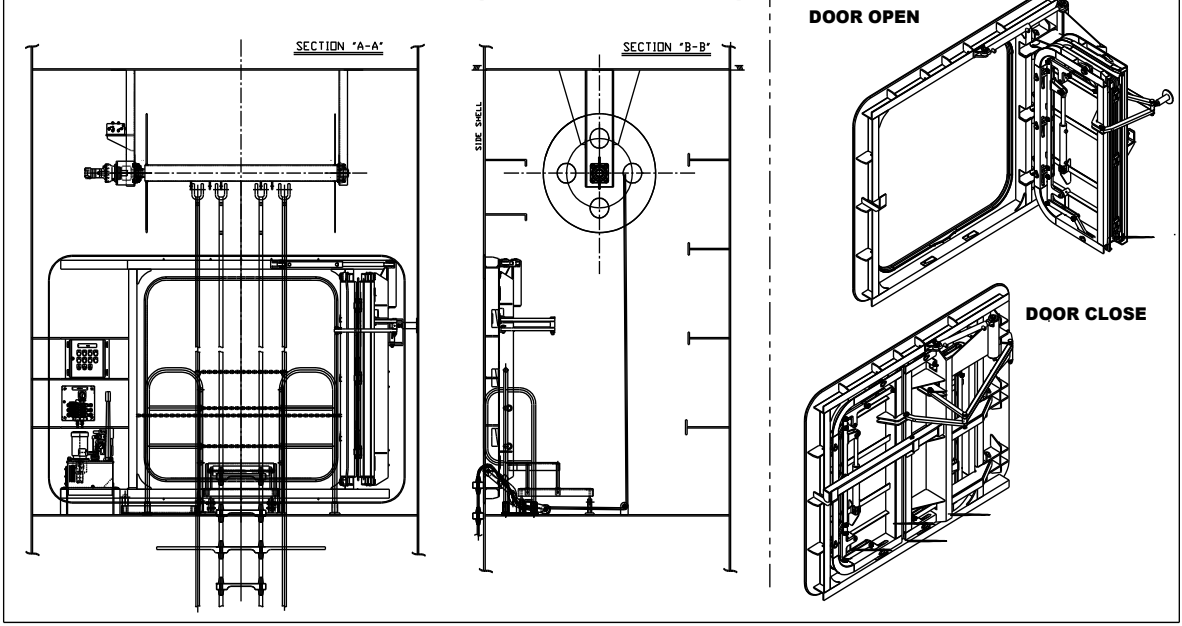
In closed position the door is flush with the side shell plating, and in open position the door is stowed inside against the perpendicular wall to the shell plate folded into half size by the folding hinges.

Watertightness of the door in its closed position is acquired by means of rubber seal installed along the edge of the door in conjunction with the locking devices called cleats.





WATER-TIGHT PILOT DOOR(FOLDING TYPE)



No	Yard	Hull No	Owner	Nationality	Type	Delivery	Class	Remark
1	Daewoo	4070	NSB	Germany	Folding	2000.12.23	GL	6500 TEU
2	Daewoo	4071	NSB	Germany	Folding	2001.05.26	GL	6500 TEU
3	Daewoo	4072	NSB	Germany	Folding	2001.07.21	GL	6500 TEU
4	Daewoo	4073	NSB	Germany	Folding	2001.02.10	GL	6500 TEU
5	Daewoo	4074	NSB	Germany	Folding	2001.03.24	GL	6500 TEU
6	Daewoo	4075	NSB	Germany	Folding	2001.05.06	GL	6500 TEU
7	Daewoo	4076	NSB	Germany	Folding	2001.08.04	GL	6500 TEU
8	Daewoo	4077	NSB	Germany	Folding	2001.09.22	GL	6500 TEU
9	Daewoo	4085	MSC	Ltaly	Folding	2002.10.12	GL	6750 TEU
10	Daewoo	4086	MSC	Ltaly	Folding	2002.11.16	GL	6750 TEU
11	Daewoo	4087	MSC	Ltaly	Folding	2003.01.27	GL	6750 TEU
12	Daewoo	4088	MSC	Ltaly	Folding	2003.04.10	GL	6750 TEU
13	Daewoo	4089	CP Shipping	Canada	Sliding	2002.10.30	DNV	4100 TEU
14	Daewoo	4090	OOCL	Hong Kong	Sliding	2002.12.09	DNV	4100 TEU
15	Daewoo	4091	CP Shipping	Canada	Sliding	2003.02.22	DNV	4100 TEU
16	Daewoo	4092	NVA	Germany	Folding	2003.05.10	GL	6750 TEU
17	Daewoo	4093	NVA	Germany	Folding	2003.05.30	GL	6750 TEU
18	Daewoo	4094	NVA	Germany	Folding	2003.07.30	GL	6750 TEU
19	Daewoo	4095	NVA	Germany	Folding	2003.10.20	GL	6750 TEU
20	Hyundai	1532	Conti	Germany	Folding	2004.03.04	GL	7800 TEU
21	Hyundai	1533	Conti	Germany	Folding	2004.05.13	GL	7800 TEU
22	Hyundai	1534	Conti	Germany	Folding	2004.06.24	GL	7800 TEU
23	Hyundai	1535	Conti	Germany	Folding	2004.08.08	BV	7800 TEU
24	Hyundai	1536	Conti	Germany	Folding	2004.12.04	GL	7800 TEU
25	Hyundai	1580	Conti	Liberia	Folding	2005.02.28	GL	7800 TEU
26	Hyundai	1581	Conti	Liberia	Folding	2005.04.09	GL	7800 TEU
27	Hyundai	1582	Conti	Liberia	Folding	2005.06.01	GL	7800 TEU
28	Hyundai	1583	Conti	Liberia	Folding	2005.07.05	GL	7800 TEU
29	Hyundai	1584	Conti	Liberia	Folding	2005.07.30	GL	7800 TEU
30	Hanjin	128	MSC	Swiss	Folding	2004.12.15	GL	8100 TEU
31	Hanjin	129	MSC	Swiss	Folding	2005.03.15	GL	8100 TEU
32	Hanjin	130	MSC	Swiss	Folding	2005.06.15	GL	8100 TEU
33	Hanjin	131	Offen	Germany	Folding	2005.09.15	GL	8100 TEU
34	Hanjin	132	Offen	Germany	Folding	2005.12.15	GL	8100 TEU
35	Samho	216	Oltmann	Germany	Folding	2004.04.27	GL	5000 TEU

36	Samho	217	Oltmann	Germany	Folding	2004.09.02	GL	5000 TEU
37	Hyundai	1575	K-Line	Japan	Folding	2004.06.15	NK	4800 TEU
38	Hyundai	1576	K-Line	Japan	Folding	2004.06.11	NK	4800 TEU
39	Hyundai	1577	K-Line	Japan	Folding	2004.06.30	NK	4800 TEU
40	Hyundai	1578	K-Line	Japan	Folding	2004.07.20	NK	4800 TEU
41	Hyundai	1579	K-Line	Japan	Folding	2004.08.18	NK	4800 TEU
42	Hyundai	1592	K-Line	Japan	Folding	2004.11.22	NK	4800 TEU
43	Hyundai	1593	K-Line	Japan	Folding	2005.02.17	NK	4800 TEU
44	Hyundai	1594	K-Line	Japan	Folding	2005.03.09	NK	4800 TEU
45	Hyundai	1595	Hapad Lloyd	Germany	Folding	2004.11.20	GL	8100 TEU
46	Hyundai	1596	Hapad Lloyd	Germany	Folding	2005.06.29	GL	8100 TEU
47	Hyundai	1597	Hapad Lloyd	Germany	Folding	2005.11.02	GL	8100 TEU
48	aewoo	4102	NVA	Germany	Folding	2004. 08.05	GL	8,400 TEU
49	Daewoo	4103	NVA	Germany	Folding	2004. 10.25	GL	8,400 TEU
50	Daewoo	4104	NVA	Germany	Folding	2005. 05.15	GL	8,400 TEU
51	Daewoo	4105	NVA	Germany	Folding	2005. 10.25	GL	8,400 TEU
52	Daewoo	4106	NVA	Germany	Folding	2006.04.10	GL	8,400 TEU
53	Hyundai	1646	CMA CGM	Bahamas	Folding	2005.11.29	BV	8200 TEU
54	Hyundai	1647	CMA CGM	Bahamas	Folding	2006.02.22	BV	8200 TEU
55	Hyundai	1648	CMA CGM	Bahamas	Folding	2006.05.13	BV	8200 TEU
56	Hyundai	1649	CMA CGM	Bahamas	Folding	2006.06.18	BV	8200 TEU
57	Samho	253	CMA CGM	Bahamas	Folding	2005.05.07	BV	8200 TEU
58	Samho	254	CMA CGM	Bahamas	Folding	2005.06.16	BV	8200 TEU
59	Samho	255	CMA CGM	Bahamas	Folding	2005.08.29	BV	8200 TEU
60	Samho	256	CMA CGM	Bahamas	Folding	2005.12.05	BV	8200 TEU
61	Hanjin	138	Offen	Germany	Folding	2005.09.21	GL	8100 TEU
62	Hanjin	139	Offen	Germany	Folding	2005.12.16	GL	8100 TEU
63	Hanjin	140	Offen	Germany	Folding	2006.03.13	GL	8100 TEU
64	Hanjin	141	Offen	Germany	Folding	2006.06.07	GL	8100 TEU
65	Hyundai	1643	COSTAMARE	Greece	Folding	2005.10.13	GL	9500 TEU
66	Hyundai	1644	COSTAMARE	Greece	Folding	2005.11.23	GL	9500 TEU
67	Hyundai	1645	COSTAMARE	Greece	Folding	2005.12.05	GL	9500 TEU
68	Hyundai	1653	COSTAMARE	Greece	Folding	2006.02.15	GL	9500 TEU
69	Hyundai	1654	COSTAMARE	Greece	Folding	2006.03.25	GL	9500 TEU
70	Samho	257	NORD CAPITAL	Liberia	Bunker	2005.05.01	GL	8200 TEU

71	Samho	258	NORD CAPITAL	Liberia	Bunker	2005.07.23	GL	8200 TEU
72	Samho	259	NORD CAPITAL	Liberia	Bunker	2005.09.08	GL	8200 TEU
73	Samho	260	NORD CAPITAL	Liberia	Bunker	2005.10.24	GL	8200 TEU
74	Samho	261	NORD CAPITAL	Liberia	Bunker	2005.12.04	GL	8200 TEU
75	Samho	264	NORD CAPITAL	Liberia	Bunker	2006.01.04	GL	8200 TEU
76	Samho	265	NORD CAPITAL	Liberia	Bunker	2006.02.18	GL	8200 TEU
77	Samho	266	NORD CAPITAL	Liberia	Bunker	2006.03.29	GL	8200 TEU
78	Samho	277	NORD CAPITAL	Liberia	Bunker	2006.06.20	GL	8200 TEU
79	Hyundai	1630	A.P. MOLLER	Denmark	W.T Sliding	2005.06.28	LR	4150 TEU
80	Hyundai	1631	A.P. MOLLER	Denmark	W.T Sliding	2005.09.16	LR	4150 TEU
81	Hyundai	1671	A.P. MOLLER	Denmark	W.T Sliding	2005.12.05	LR	4300 TEU
82	Hyundai	1672	A.P. MOLLER	Denmark	W.T Sliding	2006.02.27	LR	4300 TEU
83	Hyundai	1699	A.P. MOLLER	Denmark	W.T Sliding	2006.05.15	LR	4150 TEU
84	Hyundai	1700	A.P. MOLLER	Denmark	W.T Sliding	2006.08.08	LR	4150 TEU
85	Hyundai	1701	A.P. MOLLER	Denmark	W.T Sliding	2006.10.24	LR	4150 TEU
86	Hyundai	1733	A.P. MOLLER	Denmark	W.T Sliding	2007.03.30	LR	6070 TEU
87	Hyundai	1721	A.P. MOLLER	Denmark	W.T Sliding	2006.10.24	LR	6070 TEU
88	Hyundai	1722	A.P. MOLLER	Denmark	W.T Sliding	2006.12.04	LR	6070 TEU
89	Hyundai	1723	A.P. MOLLER	Denmark	W.T Sliding	2006.12.06	LR	6070 TEU
90	Hyundai	1724	A.P. MOLLER	Denmark	W.T Sliding	2007.01.05	LR	6070 TEU
91	Hyundai	1725	A.P. MOLLER	Denmark	W.T Sliding	2007.01.05	LR	6070 TEU
92	Hyundai	1726	A.P. MOLLER	Denmark	W.T Sliding	2007.01.30	LR	6070 TEU
93	Hyundai	1727	A.P. MOLLER	Denmark	W.T Sliding	2007.02.13	LR	6070 TEU
94	Hyundai	1740	Hapad Lloyd	Germany	Folding	2006.10.20	GL	8600 TEU
95	Hyundai	1741	Hapad Lloyd	Germany	Folding	2007.01.09	GL	8600 TEU
96	Hyundai	1801	Cosco	China	Bunker	07.02.07	LR	10,000 TEU
97	Hyundai	1802	Cosco	China	Bunker	07.07.24	LR	10,000 TEU
98	Hyundai	1803	Cosco	China	Bunker	07.11.06	LR	10,000 TEU
99	Hyundai	1804	Cosco	China	Bunker	08.02.05	LR	10,000 TEU
100	Hyundai	1810	HMMC	Korea	Folding	07.07.16	DNV	8600 TEU
101	Hyundai	1811	HMMC	Korea	Folding	07.09.04	DNV	8600 TEU
102	Samsung	1605	Exxonmobi	USA	Folding	06.04.08	DNV	216,000 LNG
103	Samsung	1606	Exxonmobi	USA	Folding	06.06.10	DNV	216,000 LNG
104	Hyundai	1791	Exxonmobi	USA	Folding	06.06.07	DNV	216,000 LNG
105	Hyundai	1792	Exxonmobi	USA	Folding	06.08.14	DNV	216,000 LNG

106	Hyundai	1793	Hapad Lloyd	Germany	Folding	07.06.11	GL	8600 TEU
107	Hyundai	1794	Hapad Lloyd	Germany	Folding	07.10.19	GL	8600 TEU
108	Hyundai	1795	Hapad Lloyd	Germany	Folding	08.01.07	GL	8600 TEU
109	Samho	306	HMMC	Korea	Folding	07.04.28	ABS	8600 TEU
110	Samho	307	HMMC	Korea	Folding	07.06.24	ABS	8600 TEU
111	Samsung	1643	Exxonmobi	USA	Folding	06.10.25	DNV	210KM3 LNG
112	Samsung	1644	Exxonmobi	USA	Folding	07.01.05	DNV	210KM3 LNG
113	Samsung	1645	Exxonmobi	USA	Folding	07.04.20	DNV	210KM3 LNG
114	Samsung	1646	Exxonmobi	USA	Folding	07.03.20	DNV	210KM3 LNG
115	Hyundai	1862	Exxonmobi	USA	Folding	06.10.20	DNV	210KM3 LNG
116	Hyundai	1863	Exxonmobi	USA	Folding	07.03.02	DNV	210KM3 LNG
117	Hyundai	1875	Exxonmobi	USA	Folding	07.07.06	DNV	210KM3 LNG
118	Samho	328	Oltmann	Germany	Folding	06.08.23	GL	5000 TEU
119	Samsung	1675	Exxonmobi	USA	Folding	07.07.01	LR	265KM3 LNG
120	Samsung	1676	Exxonmobi	USA	Folding	07.10.20	LR	265KM3 LNG
121	Samsung	1677	Exxonmobi	USA	Folding	07.12.01	LR	265KM3 LNG
122	Samsung	1694	Exxonmobi	USA	Folding	08.01.10	LR	265KM3 LNG
123	Samsung	1695	Exxonmobi	USA	Folding	08.02.10	ABS	265KM3 LNG
124	Samsung	1697	Exxonmobi	USA	Folding	08.04.12	LR	265KM3 LNG
125	Samho	341	HMMC	Korea	Folding	07.04.28	GL	8600 TEU
126	Samho	342	HMMC	Korea	Folding	07.06.24	GL	8600 TEU
127	Hyundai	1940	HMMC	Korea	Folding	07.07.16	DNV	8600 TEU
128	Hyundai	1941	HMMC	Korea	Folding	07.09.04	DNV	8600 TEU
129	CSBC	875	A.O.T.I	China	Folding	07.10.09	ABS	8236 TEU
130	CSBC	876	A.O.T.I	China	Folding	07.11.12	ABS	8236 TEU
131	CSBC	877	A.O.T.I	China	Folding	07.12.20	LR	8236 TEU
132	CSBC	878	A.O.T.I	China	Folding	08.02.14	ABS	8236 TEU
133	CSBC	879	A.O.T.I	China	Folding	08.04.29	ABS	8236 TEU
134	Hyundai	1908	Exxonmobi	USA	Folding	08.01.15	DNV	265KM3 LNG
135	Hyundai	1909	Exxonmobi	USA	Folding	08.05.02	DNV	265KM3 LNG
136	Hyundai	1910	Exxonmobi	USA	Folding	08.05.30	DNV	265KM3 LNG
137	Hudong	1512A	Costamare	China	Folding	08.04.20	GL	8530 TEU
138	Hudong	1513A	Costamare	China	Folding	08.08.30	GL	8530 TEU
139	Hudong	1514A	Costamare	China	Folding	09.02.15	GL	8530 TEU
140	Hudong	1515A	Costamare	China	Folding	09.05.15	GL	8530 TEU

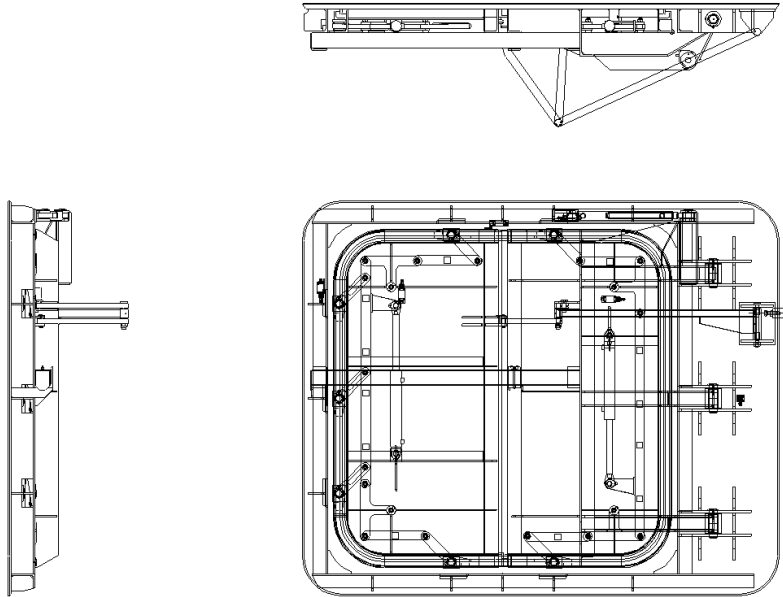
141	Samho	343	MSC	Panama	Folding	08.03.16	GL	11300 TEU
142	Samho	344	MSC	Panama	Folding	08.04.28	GL	11300 TEU
143	Samho	1942	MSC	Panama	Folding	08.06.01	GL	11300 TEU
144	Samho	1943	MSC	Panama	Folding	08.11.05	GL	11300 TEU
145	Samsung	1726	Exxonmobi	USA	Folding	08.07.17	ABS	265KM3 LNG
146	Samsung	1751	Exxonmobi	USA	Folding	08.10.13	ABS	265KM3 LNG
147	Samsung	1752	Exxonmobi	USA	Folding	09.01.15	ABS	265KM3 LNG
148	Samsung	1753	Exxonmobi	USA	Folding	09.03.13	ABS	265KM3 LNG
149	Samsung	1754	Exxonmobi	USA	Folding	09.06.08	ABS	265KM3 LNG
150	Samsung	1708	MSC	Panama	Sliding	08.06.12	GL	M-Class
151	Samsung	1709	MSC	Panama	Sliding	08.09.05	GL	M-Class
152	Samsung	1710	MSC	Panama	Sliding	08.11.21	GL	M-Class
153	Samsung	1711	MSC	Panama	Sliding	09.03.10	GL	M-Class
154	Samsung	1712	MSC	Panama	Sliding	09.05.11	GL	M-Class
155	Samsung	1713	MSC	Panama	Sliding	09.07.20	GL	M-Class
156	Samsung	1714	MSC	Panama	Sliding	09.08.25	GL	M-Class
157	Samsung	1715	MSC	Panama	Sliding	09.11.09	GL	M-Class
158	Samsung	1719	OOCL	Hong Kong	Sliding	09.03.06	ABS	8063 TEU
159	Samsung	1720	OOCL	Hong Kong	Sliding	09.04.15	ABS	8063 TEU
160	Samsung	1721	OOCL	Hong Kong	Sliding	09.06.24	ABS	8063 TEU
161	Samsung	1722	OOCL	Hong Kong	Sliding	09.09.10	ABS	8063 TEU
162	Samsung	1787	CMA CGM	Bahamas	Sliding	08.09.10	BV	8500 TEU
163	Samsung	1788	CMA CGM	Bahamas	Sliding	09.01.19	BV	8500 TEU
164	Samsung	1789	CMA CGM	Bahamas	Sliding	09.07.17	BV	8500 TEU
165	Samsung	1790	CMA CGM	Bahamas	Sliding	09.12.10	BV	8500 TEU
166	Samsung	1791	CMA CGM	Bahamas	Sliding	10.01.11	BV	8500 TEU
167	Samsung	1792	CMA CGM	Bahamas	Sliding	10.01.16	BV	8500 TEU
168	Hanjin	184	CMA CGM	French	Bunker	08.04.25	BV	4300 TEU
169	Hanjin	185	CMA CGM	French	Bunker	08.05.20	BV	4300 TEU
170	Hyundai	2074	C.P.OFEEN	Liberia	Folding	09.07.10	GL	8600 TEU
171	Hyundai	2075	C.P.OFEEN	Liberia	Folding	09.07.15	GL	8600 TEU
172	Hyundai	2081	SEASPAN	Hong Kong	Folding	09.06.23	LR	8500 TEU
173	Hyundai	2082	SEASPAN	Hong Kong	Folding	09.07.16	LR	8500 TEU
174	Hyundai	2083	SEASPAN	Hong Kong	Folding	09.09.09	LR	8500 TEU
175	Hyundai	2084	SEASPAN	Hong Kong	Folding	10.01.26	LR	8500 TEU

176	Hyundai	2085	SEASPAN	Hong Kong	Folding	10.03.08	LR	8500 TEU
177	Hyundai	2086	SEASPAN	Hong Kong	Folding	10.04.08	LR	8500 TEU
178	Hyundai	2087	SEASPAN	Hong Kong	Folding	10.04.27	LR	8500 TEU
179	Hyundai	2088	SEASPAN	Hong Kong	Folding	10.05.14	LR	8500 TEU
180	Hyundai	2076	Hapad Lloyd	Germany	Folding	09.10.26	GL	8100 TEU
181	Hyundai	2077	Hapad Lloyd	Germany	Folding	10.01.20	GL	8100 TEU
182	Hyundai	2095	Hapad Lloyd	Germany	Folding	09.09.23	GL	8100 TEU
183	Hyundai	2096	Hapad Lloyd	Germany	Folding	09.10.14	GL	8100 TEU
184	Hyundai	2097	Hapad Lloyd	Germany	Folding	09.10.14	GL	8100 TEU
185	Hyundai	2098	Hapad Lloyd	Germany	Folding	10.01.04	GL	8100 TEU
186	Hudong	1562A	Costamare	China	Folding	09.12.31	GL	8600 TEU
187	Hudong	1563A	Costamare	China	Folding	10.04.30	GL	8600 TEU
188	Hudong	1564A	Costamare	China	Folding	10.08.31	GL	8600 TEU
189	Hudong	1565A	Costamare	China	Folding	10.12.20	GL	8600 TEU
190	Hudong	1584A	Costamare	China	Folding	10.10.20	GL	8600 TEU
191	Hudong	1585A	Costamare	China	Folding	11.04.30	GL	8600 TEU
192	Ziangnam	Z00001	Costamare	China	Folding	09.08.05	GL	8530 TEU
193	Ziangnam	Z00002	Costamare	China	Folding	09.10.20	GL	8530 TEU
194	Ziangnam	Z00003	Costamare	China	Folding	09.12.31	GL	8530 TEU
195	Ziangnam	Z00004	Costamare	China	Folding	10.01.10	GL	8530 TEU
196	Ziangnam	H1022A	Costamare	China	Folding	10.05.05	GL	8530 TEU
197	Hyundai	2241	Hapad Lloyd	Germany	Folding	10.10.06	GL	8100 TEU
198	Hyundai	2242	Hapad Lloyd	Germany	Folding	10.11.12	GL	8100 TEU
199	Hyundai	2243	Hapad Lloyd	Germany	Folding	11.01.04	GL	8100 TEU
200	Hyundai	2244	Hapad Lloyd	Germany	Folding	10.09.07	GL	8100 TEU
201	Hyundai	2245	Hapad Lloyd	Germany	Folding	10.11.15	GL	8100 TEU
202	Hyundai	2246	Hapad Lloyd	Germany	Folding	11.01.14	GL	8100 TEU
203	Samho	433	Zodiac	Liberia	Folding	10.04.10	LR	13,100 TEU
204	Samho	434	Zodiac	Liberia	Folding	10.05.16	LR	13,100 TEU
205	Samho	435	Zodiac	Liberia	Folding	10.06.30	LR	13,100 TEU
206	Samho	436	Zodiac	Liberia	Folding	10.08.18	LR	13,100 TEU
207	Samho	437	Zodiac	Liberia	Folding	10.10.04	LR	13,100 TEU
208	Samsung	1819	SEASPAN	Hong Kong	Sliding	09.10.27	GL	14,100 TEU
209	Samsung	1820	SEASPAN	Hong Kong	Sliding	10.06.03	GL	14,100 TEU
210	Samsung	1821	SEASPAN	Hong Kong	Sliding	11.02.14	GL	14,100 TEU

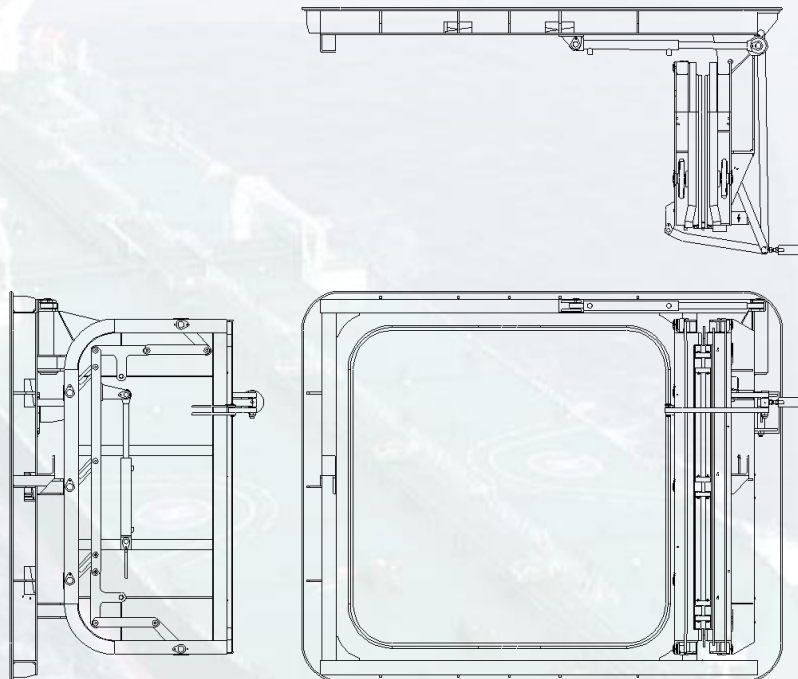
211	Samsung	1822	SEASPAN	Hong Kong	Sliding	11.05.23	GL	14,100 TEU
212	Samsung	1823	SEASPAN	Hong Kong	Sliding	11.08.29	GL	14,100 TEU
213	Samsung	1824	SEASPAN	Hong Kong	Sliding	11.10.03	GL	14,100 TEU
214	Samsung	1825	SEASPAN	Hong Kong	Sliding	11.12.05	GL	14,100 TEU
215	Samsung	1826	SEASPAN	Hong Kong	Sliding	12.01.23	GL	14,100 TEU
216	IHI Marine	3286	MNS	Panama	Bunker	10.06.30	NK	8,600 TEU
217	IHI Marine	3287	MNS	Panama	Bunker	10.11.30	NK	8,600 TEU
218	IHI Marine	3288	MNS	Panama	Bunker	11.01.04	NK	8,600 TEU
219	IHI Marine	3289	MNS	Panama	Bunker	11.03.10	NK	8,600 TEU
220	IHI Marine	3290	MNS	Panama	Bunker	11.05.20	NK	8,600 TEU
221	CSBC	957	OCEANS TRANSPORTATIO N	Liberia	Folding	11.04.01	ABS+CR	8,240 TEU
222	CSBC	958	OCEANS TRANSPORTATIO N	Liberia	Folding	11.06.20	ABS+CR	8,240 TEU
223	CSBC	959	OCEANS TRANSPORTATIO N	Liberia	Folding	11.09.15	ABS+CR	8,240 TEU
224	CSBC	960	OCEANS TRANSPORTATIO N	Liberia	Folding	11.12.05	ABS+CR	8,240 TEU
225	CSBC	961	OCEANS TRANSPORTATIO N	Liberia	Folding	12.03.01	ABS+CR	8,240 TEU

DOOR FOLDING TYPE

CLOSE



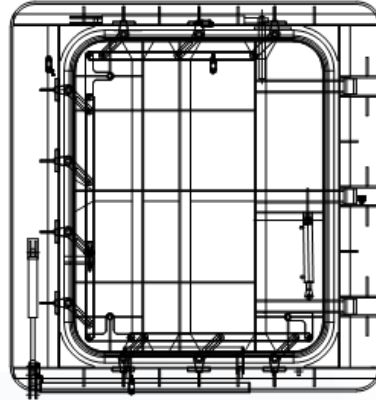
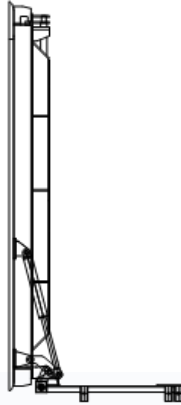
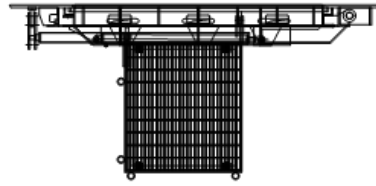
OPEN



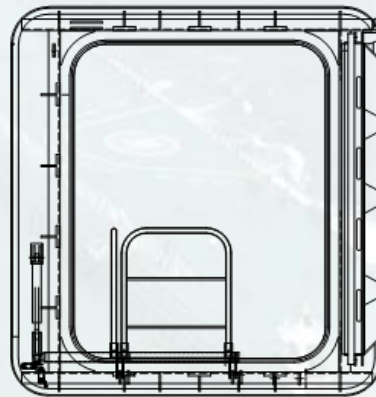
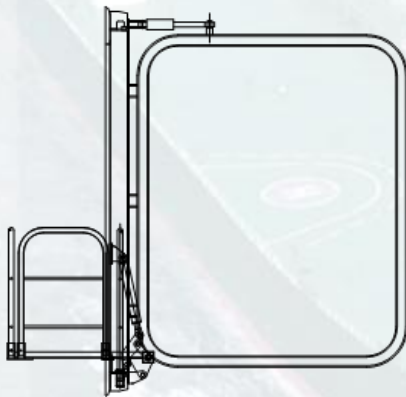
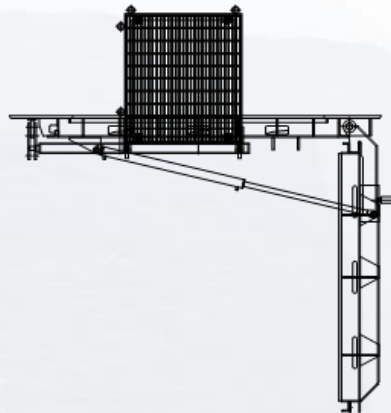
TYPE	CLEAR OPENING	WATER HEAD
FOLDING TYPE	2000(H) X 2000(V) X R250	

DOOR BUNKER TYPE

CLOSE



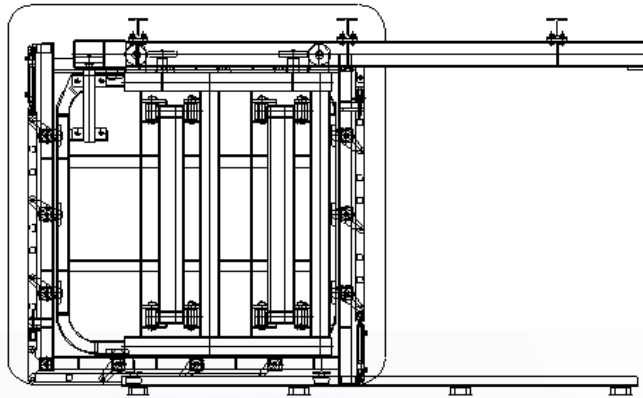
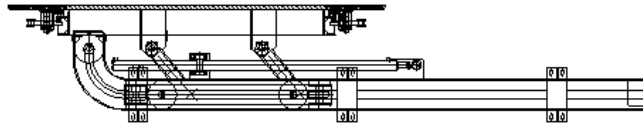
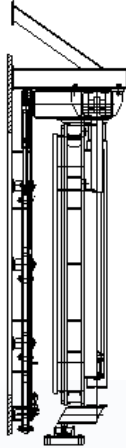
OPEN



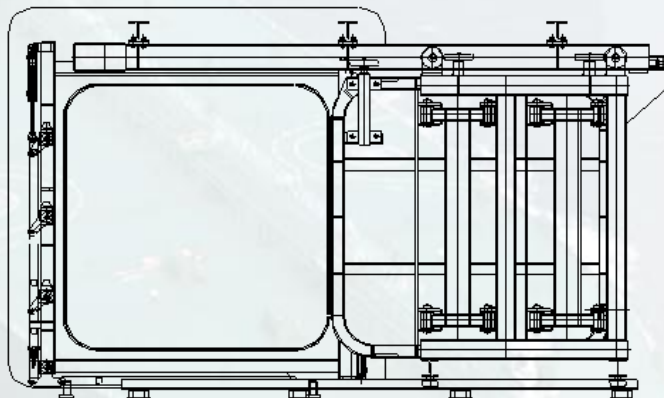
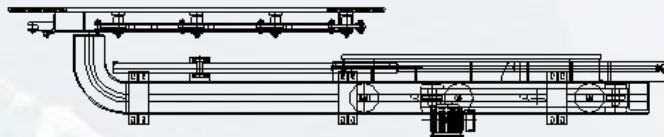
TYPE	CLEAR OPENNING	WATER HEAD
BUNKER TYPE	2000(H) X 2500(V) X R250	2 ~ 10 m

DOOR SLIDING TYPE

CLOSE

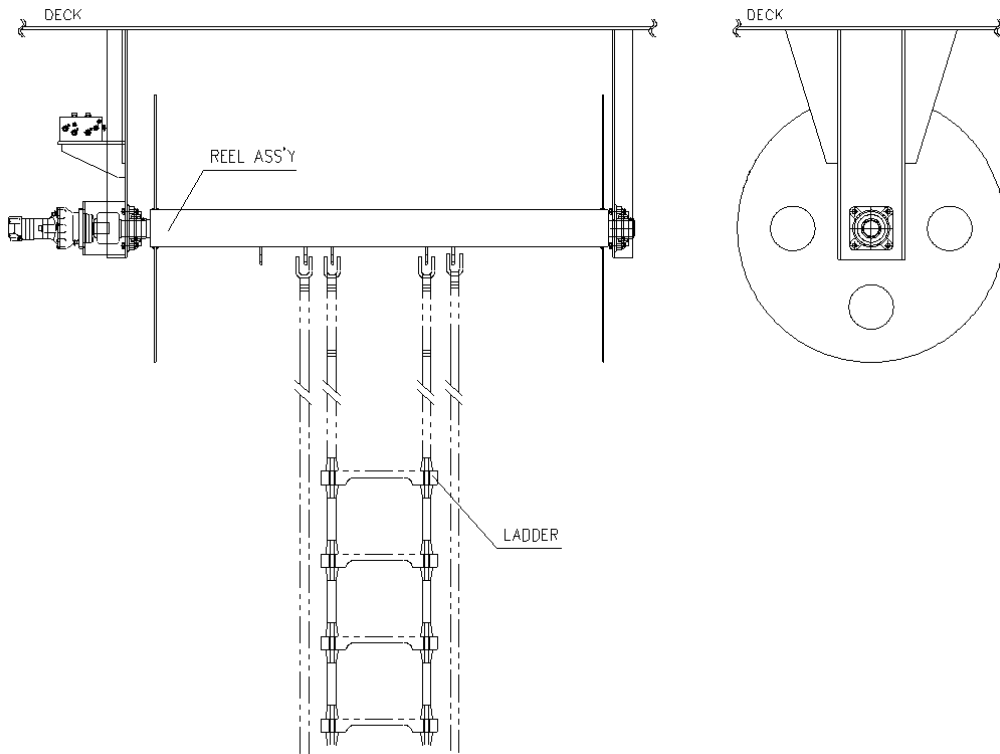


OPEN



TYPE	CLEAR OPENNING	WATER HEAD
SLIDING TYPE	2000(H) X 2000(V) X R250	2 ~ 10 m

REEL UPPER TYPE



REEL UNDER TYPE

